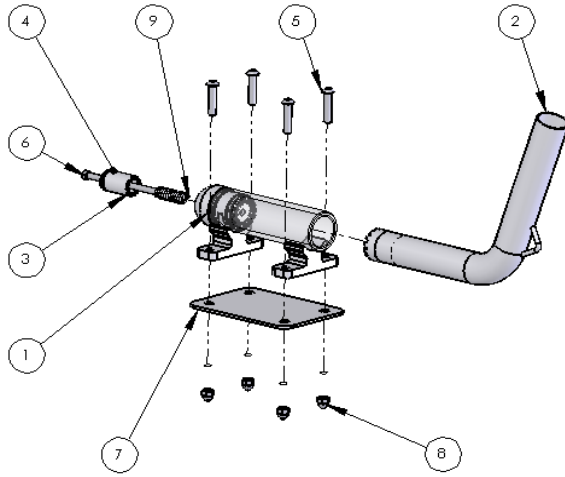
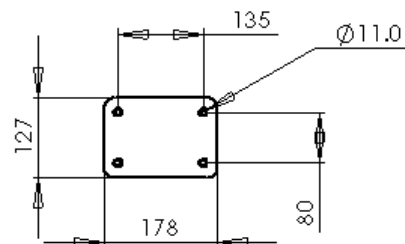
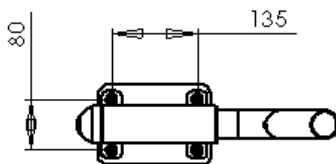
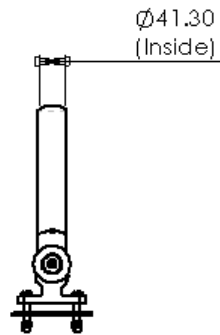
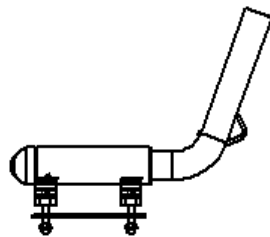


Swingers Outriggers
MADE IN AUSTRALIA



ITEM NO.	PART NUMBER	QTY.
1	CYLINDER	1
2	ARM	1
3	RETAINER	1
4	O RING	1
5	SCREW M10 x 50	4
6	CAP SCREW M10 x 127mm	1
7	BACK PLATE	1
8	NYLOC NUT M10	4
9	COMP SPRING 60-16-2	1



Australia – Patented,

U.S. – Patent Pending.

That's Fishing[®]
PTY LTD